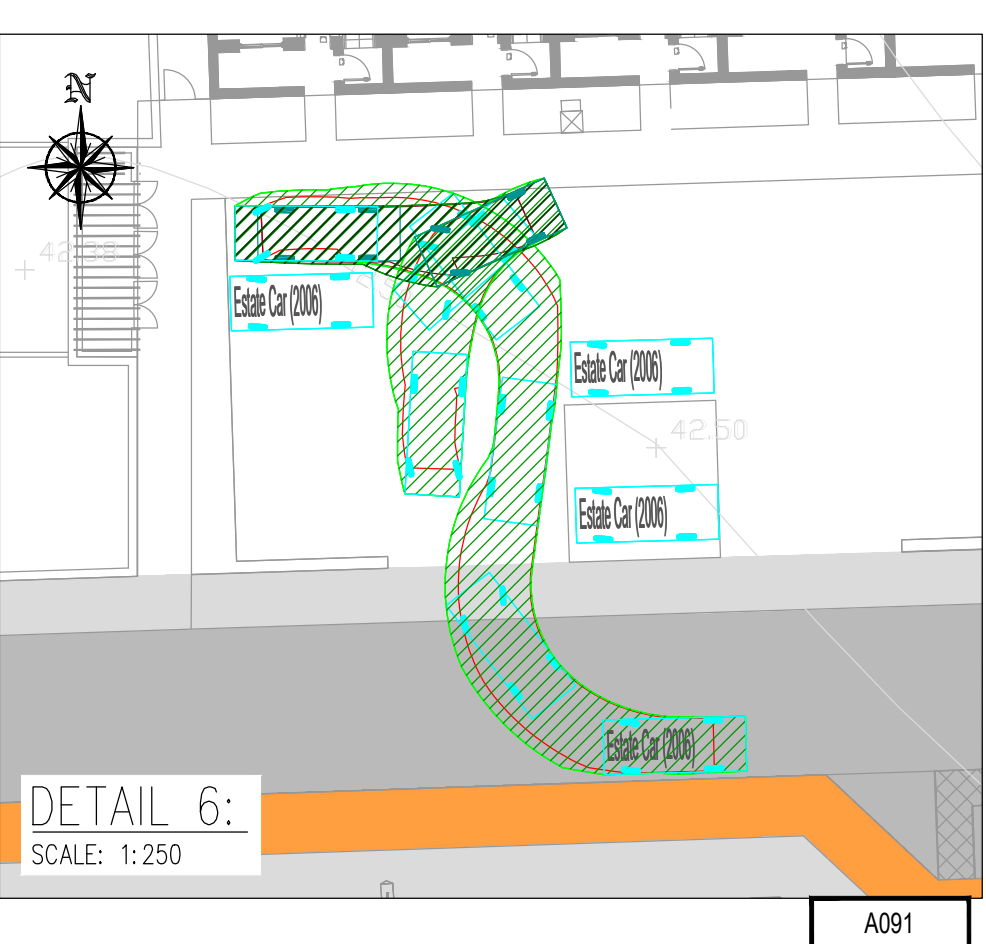
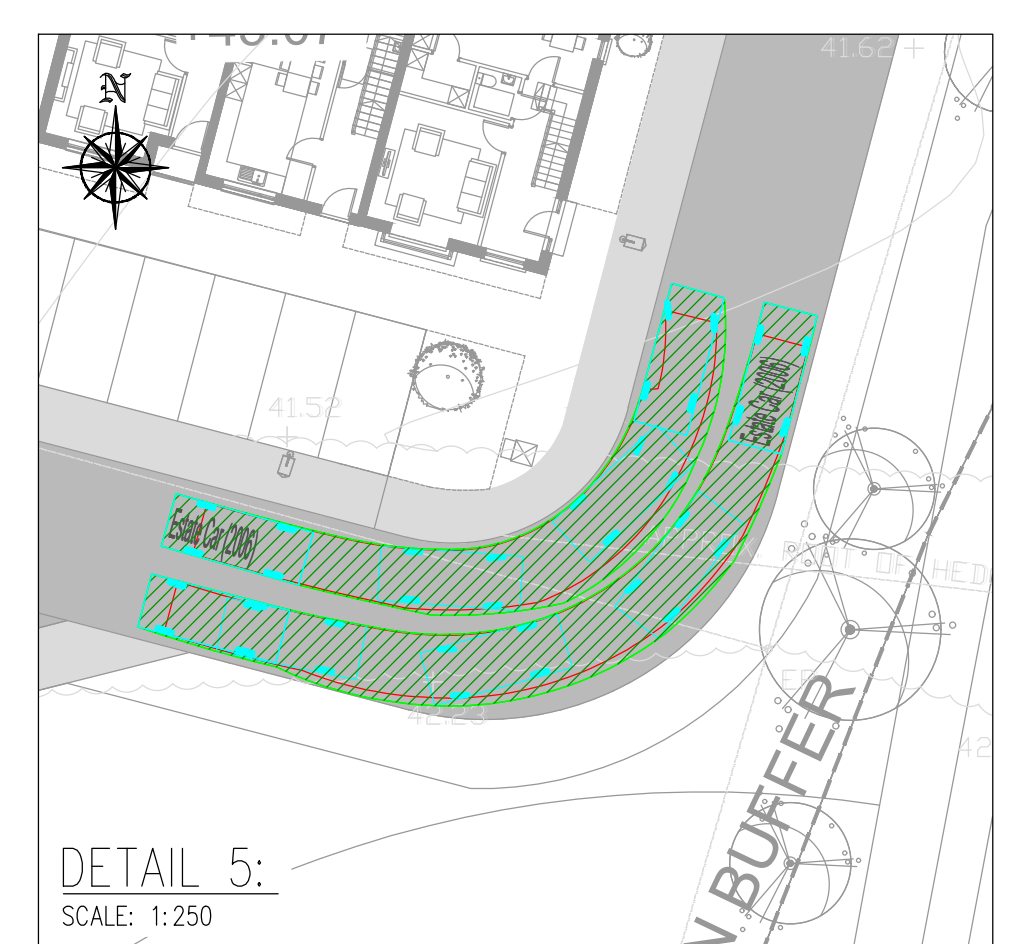
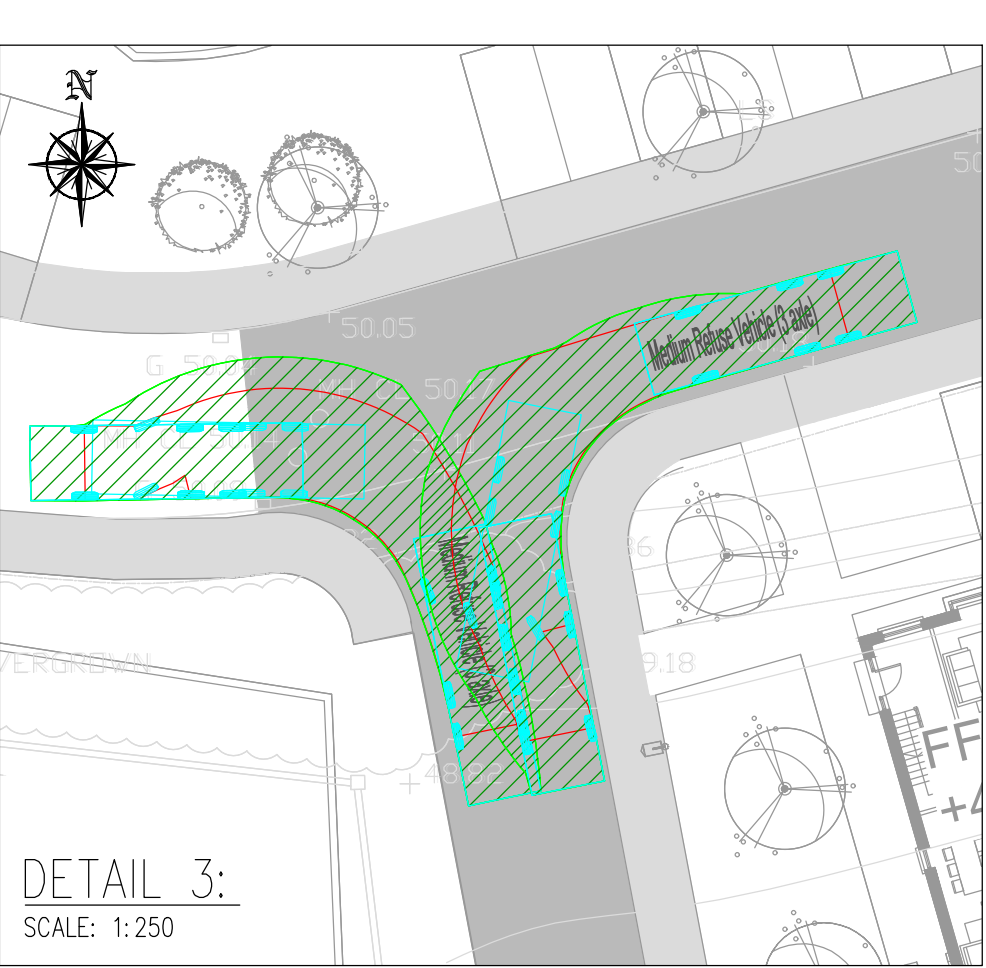
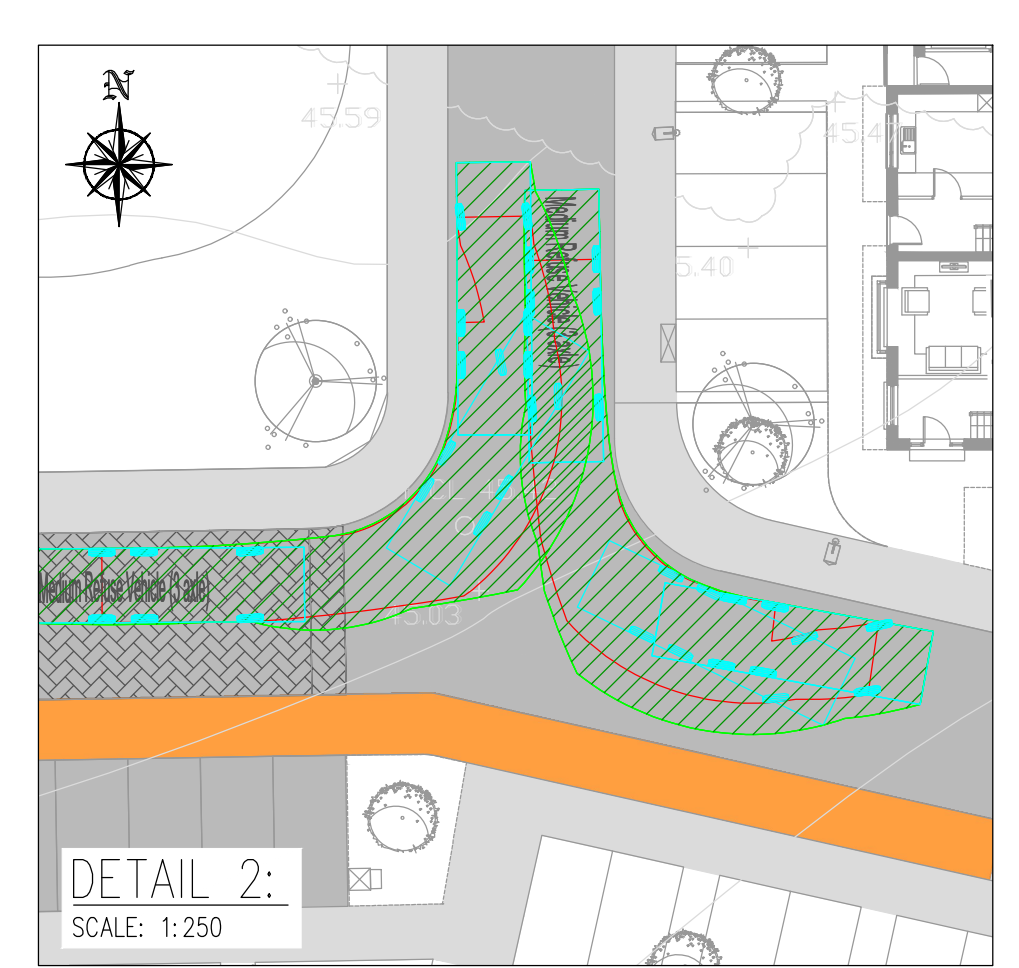
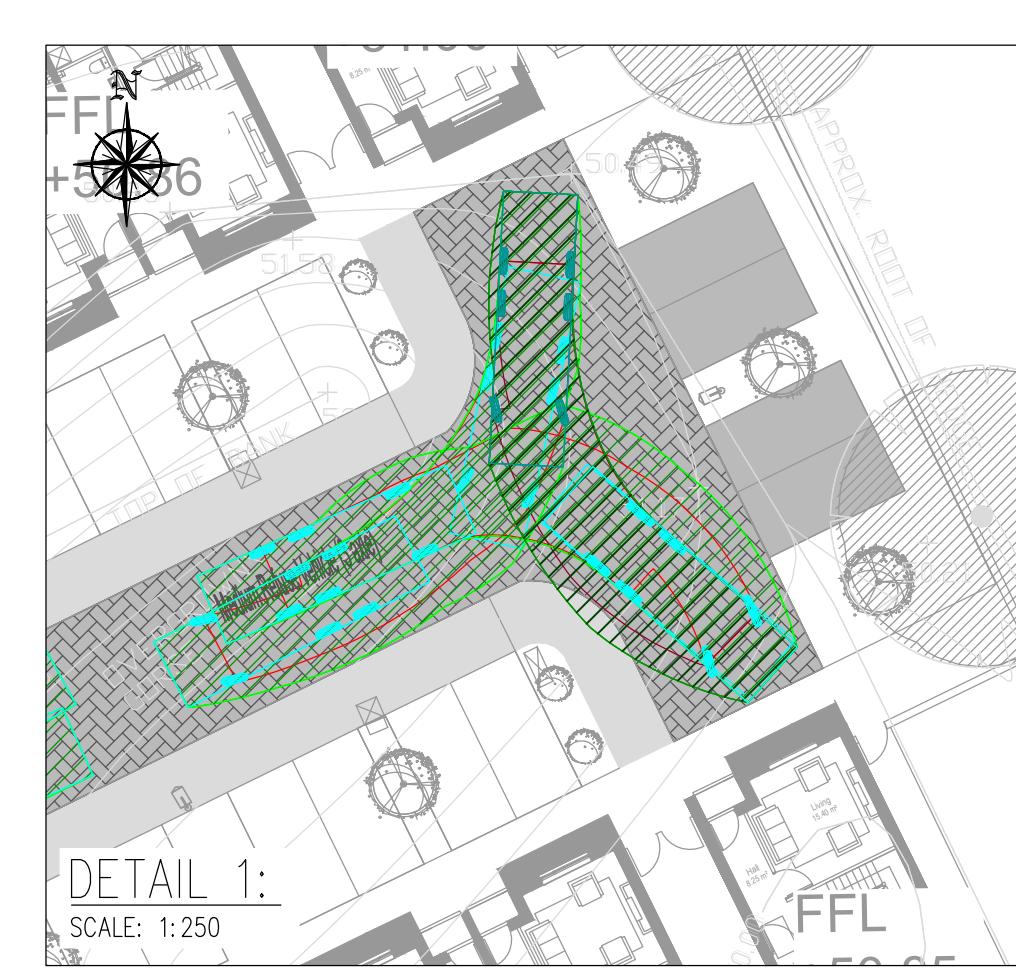
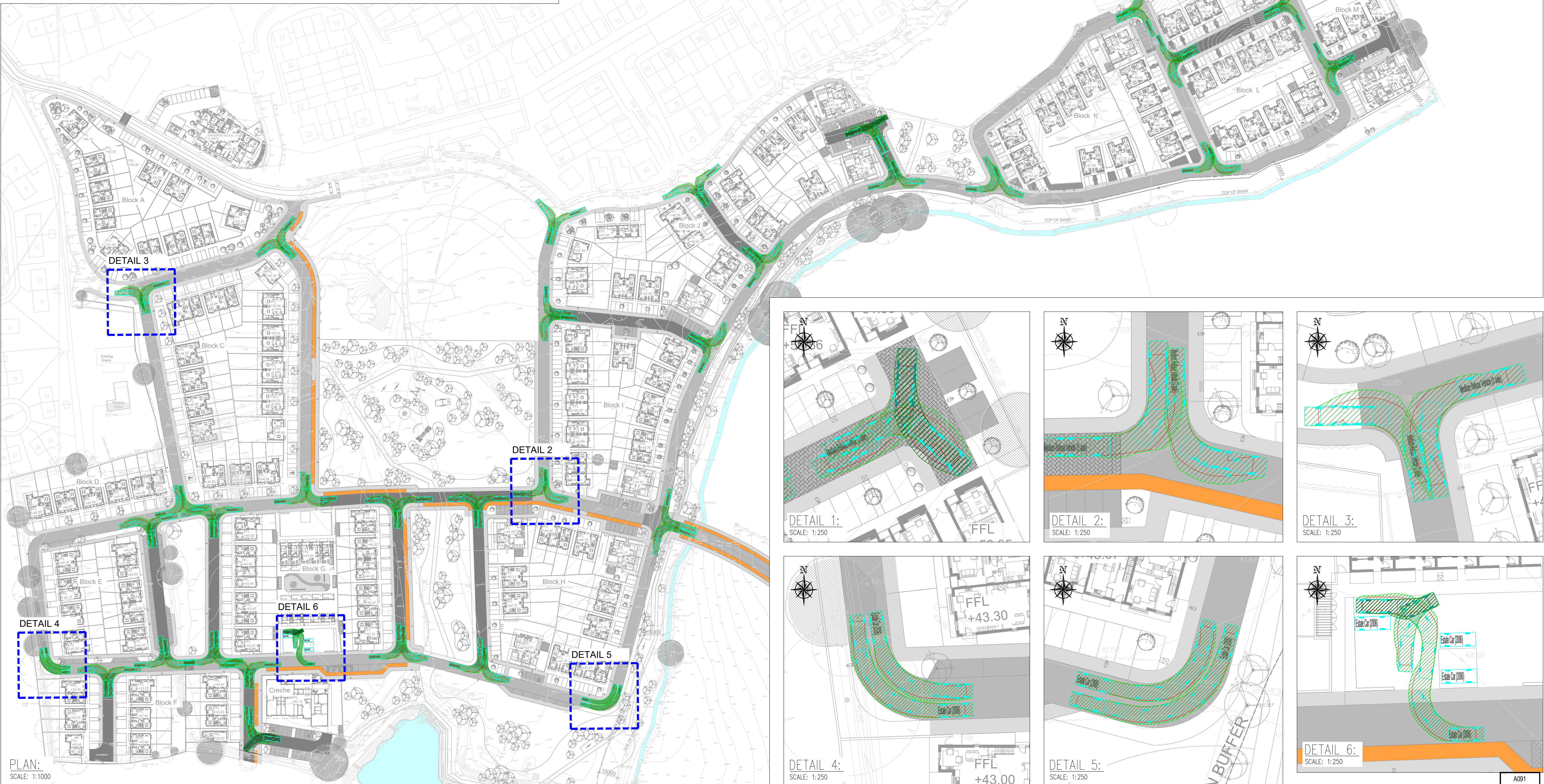
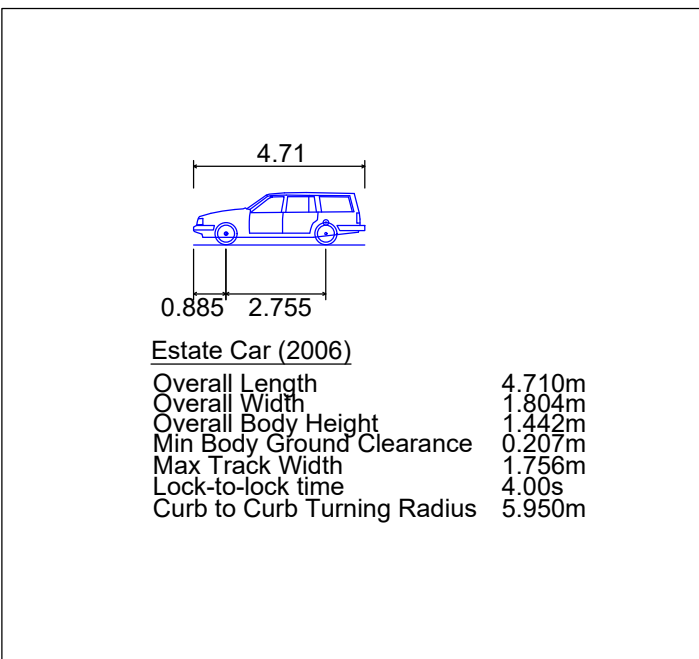
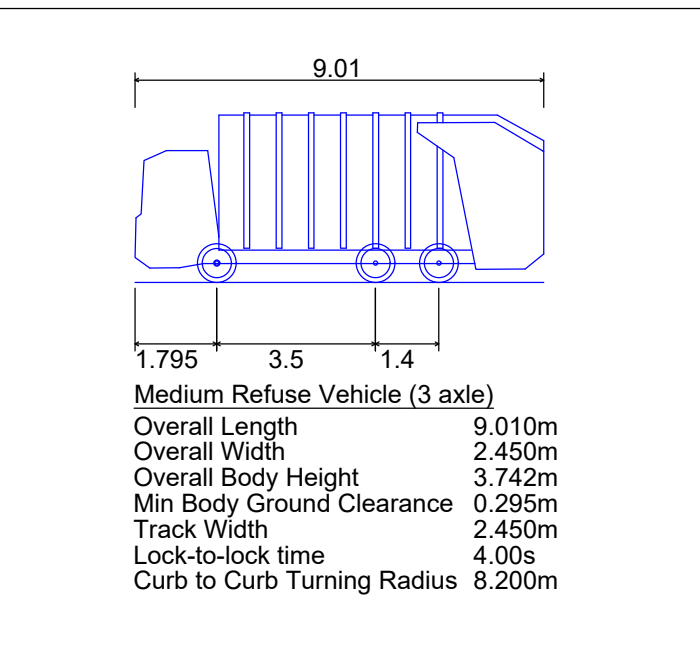


LEGEND:

PROPOSED ROAD	
PROPOSED FOOTPATH	
PROPOSED RAMP	
PROPOSED OFF ROAD CYCLE TRACK	
PROPOSED ON ROAD CYCLE TRACK	
PROPOSED TACTILE PAVING	



PLANNING DRAWING.
NOT FOR CONSTRUCTION.
ALL LEVELS GIVEN ARE
RELATIVE TO ORDNANCE DATUM.
THIS DRAWING HAS BEEN ISSUED FOR INFORMATION
PURPOSES ONLY AND MUST NOT BE USED
FOR CONSTRUCTION UNDER ANY CIRCUMSTANCES

NOTES

- For setting out refer to Architect's drawings.
- This drawing to be read in conjunction with all other Architectural and Engineering drawings and all other relevant drawings and Specifications.
- DO NOT SCALE THIS DRAWING. Use figured dimensions only.
- No part of this document may be reproduced or transmitted in any form or stored in any retrieval system of any nature without the written permission as copyright holder except as agreed for use on the project for which the document was originally issued.
- Ordnance Survey Ireland Licence Number EN 0074021

Rev. No.	Date	REVISION NOTE	Dim. By	Chkd. By
P1	22.10.2020	Revised Site Layout	AB	NB
P2	05.11.2020	Revised Site Layout	AB	NB
P3	03.12.2020	Revised Site Layout	JS	NB
P4	22.01.2021	OSI Licence Updated	JS	NB

Architect	Reddy Architecture + Urbanism
Project	Residential Development Clonattin, Gorey
Title	Swept Path Analysis Refuse & Medium Car
Dwg No.	CLO-CSC-ZX-DR-C-0015
Date	May 2020
Dim by	AB
Chkd by	GL
Apprd by	NB
Scale	AS SHOWN
Revision	P4

CS Consulting Group	
DUBLIN LONDON LIMERICK	
Head Office 19-22 Dame Street, Dublin 2. T: +353 (0)1 5480863 F: +353 (0)1 9011355 e: info@csconsulting.ie w: www.csconsulting.ie	
Quality Certified	Environment Certified
Health & Safety Certified	NSAI Certified
I.S. EN ISO 9001:2008	I.S. EN ISO 14001:2004
I.S. EN ISO 50001:2011	OHSAS 18001:2007